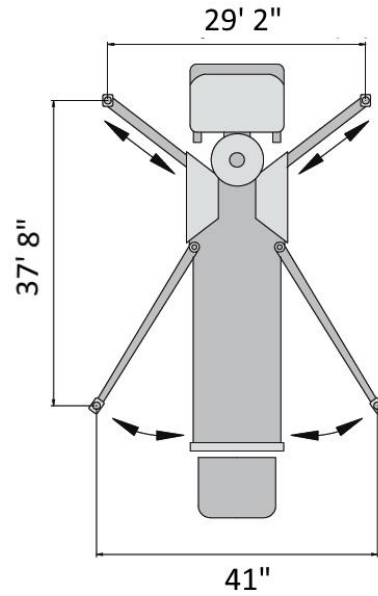
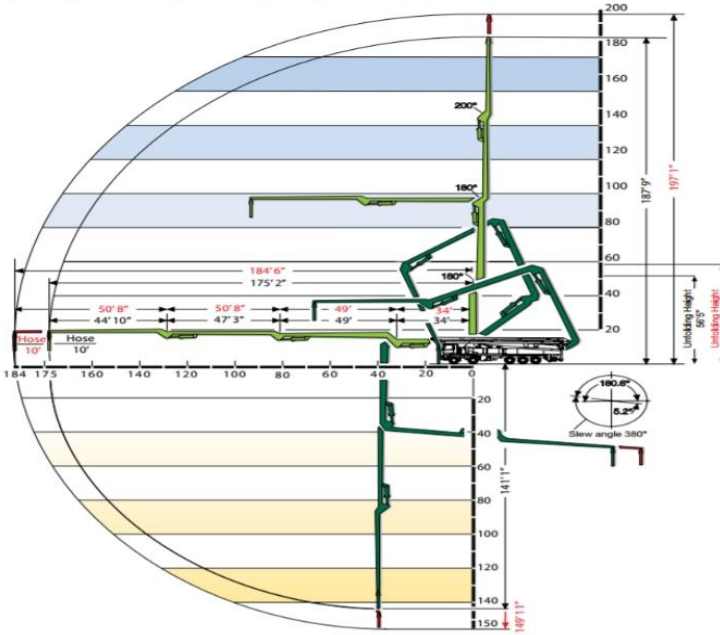


# RCP

## SCHWING S - 58



### PUMP AND BOOM SPECIFICATIONS

VERTICAL REACH	125M (187'9")	<u>X - STYLE</u>	
HORIZONTAL REACH	53.4M (175'2")	FRONT SPREAD	29'2"
UNFOLDING HEIGHT	17.2M (56'5")	REAR SPREAD	41'
1ST SECTION LENGTH	10.4M (34')		
2ND SECTION LENGTH	15M (49')	<u>OUTPUT</u>	
3RD SECTION LENGTH	14.4M (47'3")	ROD SIDE	
4TH SECTION LENGTH		PISTON SIDE	
5TH SECTION LENGTH			

