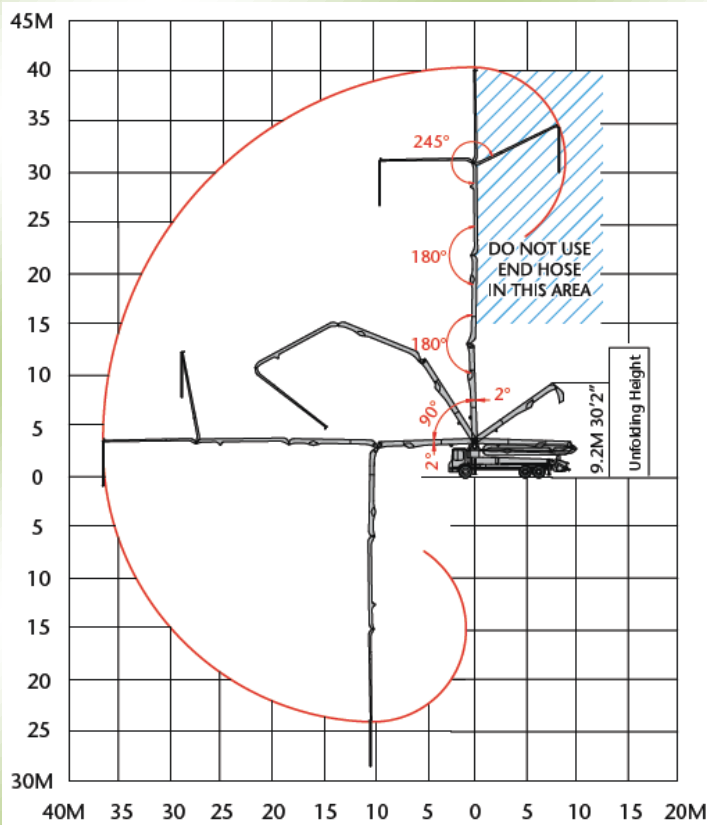
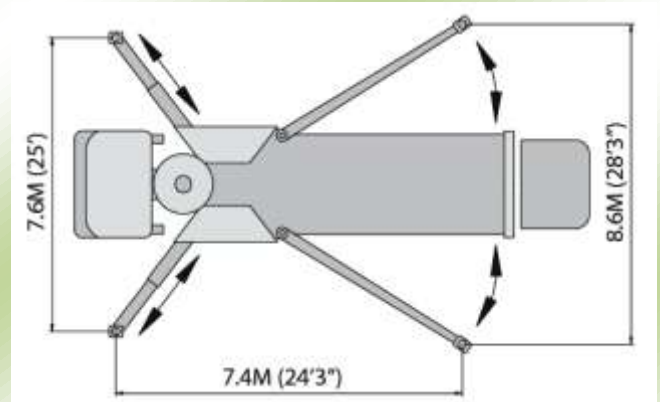
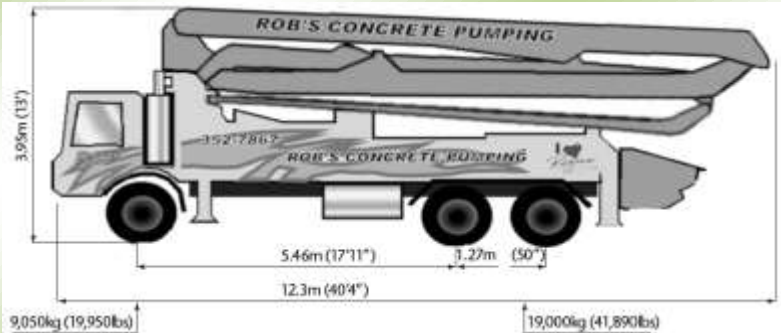




**PUMP SPECIFICATION SHEET – UNIT 401**

**Alliance  
JXR 40-4.16**



**Boom Specifications**

Vertical Reach	40.2 m (131'9")
Horizontal Reach	36.2 m (118'9")
Unfolding Height	9.2 m (30'2")
1st Section Length	9.4 m (30'8")
2nd Section Length	8.6 m (28'2")
3rd Section Length	9.0 m (29'6")
4th Section Length	9.2 m (30'2")
<b>X-Style</b>	
Front Spread	7.6 m (25')
Rear Spread	8.6 m (28'3")

**Pump Specifications**

Output	Rod Side	164 m <sup>3</sup> /h (215 yd <sup>3</sup> /h)
	Piston Side	102 m <sup>3</sup> /h (133 yd <sup>3</sup> /h)