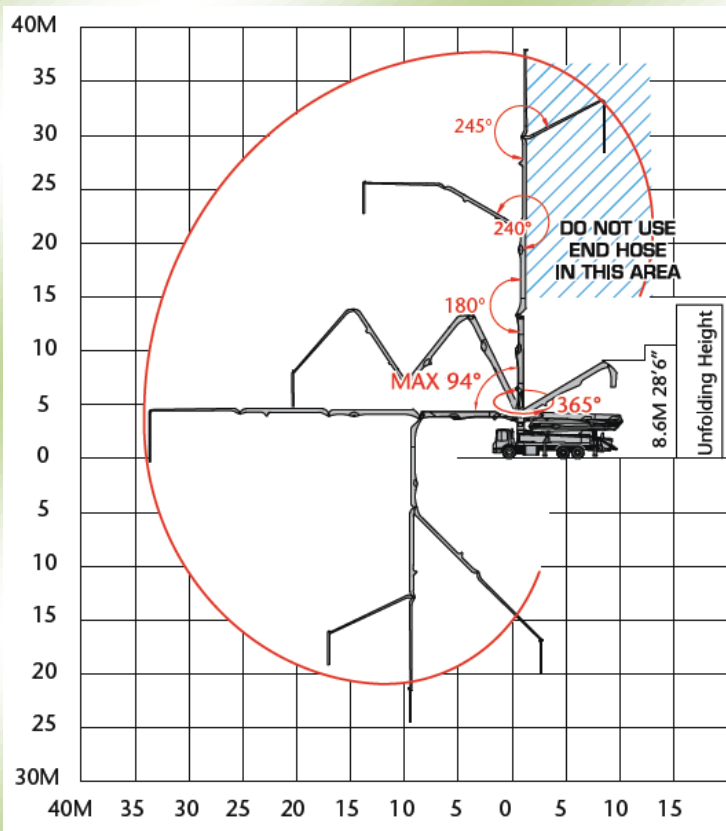
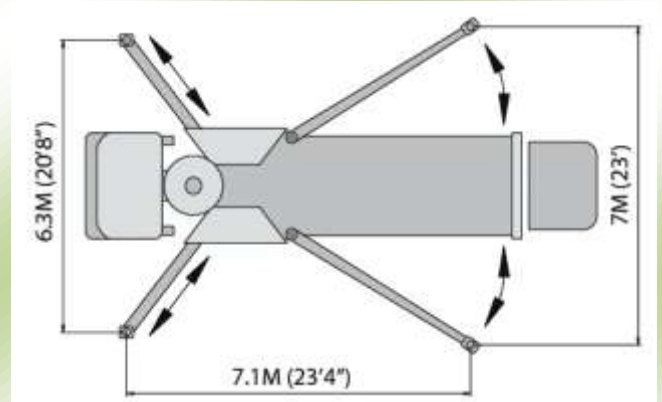
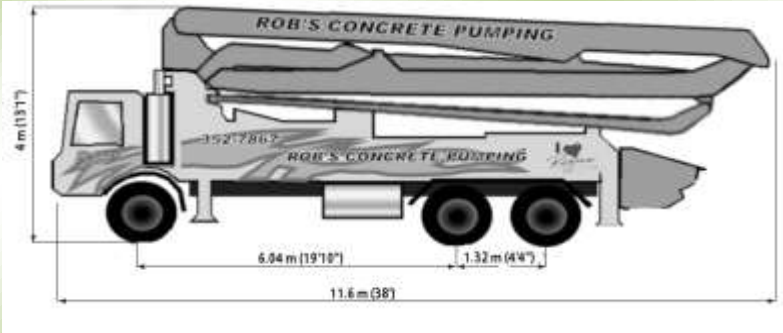




PUMP SPECIFICATION SHEET – UNIT 381

**Alliance
JXZ 38-4.16**



Boom Specifications

Vertical Reach	37.2 m (122')
Horizontal Reach	33.2 m (108'9")
Unfolding Height	8.6 m (28'6")
1st Section Length	9.2 m (30'2")
2nd Section Length	7.9 m (25'9")
3rd Section Length	8.1 m (26'6")
4th Section Length	8.0 m (26'3")
X-Style	
Front Spread	6.3 m (20'8")
Rear Spread	7.0 m (23')

Pump Specifications

Output	Rod Side	164 m ³ /h (215 yd ³ /h)
	Piston Side	102 m ³ /h (133 yd ³ /h)