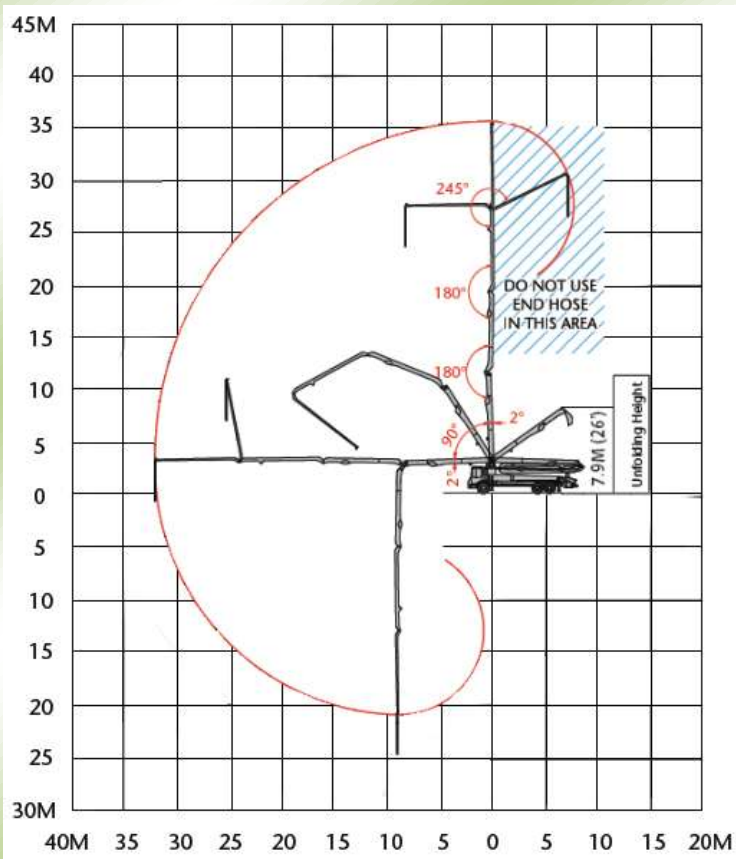
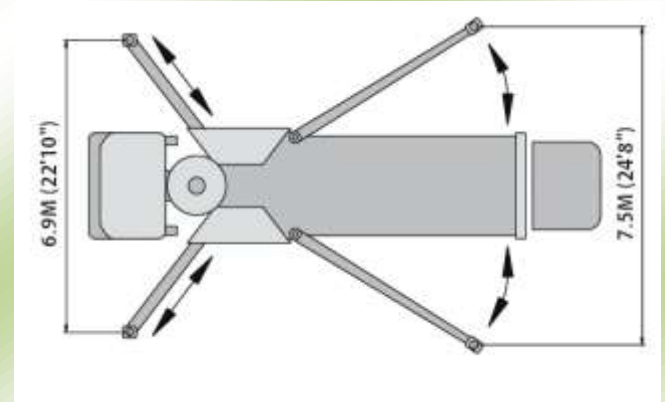
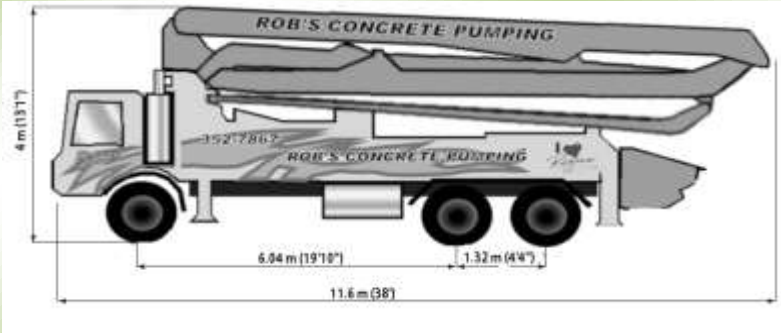




PUMP SPECIFICATION SHEET – UNIT 361

**SCHWING
KVM 36 BPL1200**



Boom Specifications

Vertical Reach	35.9 m (118')
Horizontal Reach	32 m (105')
Unfolding Height	7.9 m (26')
1st Section Length	8.2 m (27')
2nd Section Length	7.9 m (26')
3rd Section Length	7.9 m (26')
4th Section Length	7.9 m (26')
X-Style	
Front Spread	6.9 m (22'10")
Rear Spread	7.5 m (24'8")

Pump Specifications

Output	Rod Side	149 m ³ /h (196 y ³ /h)
	Piston Side	85 m ³ /h (111 yd ³ /h)